

944DMS SERIES 22mm PLANETRY (EPICYCLIC) MINIATURE METAL GEARBOX



IMPORTANT NOTICE
Due to the wide range of applications for this product it is the users responsibility to establish the products suitability for their individual purpose(s).

RATIOS NOW AVAILABLE AS EX-STOCK ITEMS.

944D41MS	(4.5v - 6v)	RATIO 4:1
944D621MS	(4.5v - 6v)	RATIO 62:1
944D1041MS	(4.5v - 6v)	RATIO 104:1
944D2311MS	(4.5v - 6v)	RATIO 231:1

Designed for smaller industrial and model applications this robust unit boasts a powerful high quality motor with carbon brushes & sintered bronze bearings. The gearbox incorporates sleeved bearings, enabling the high torque transfer from the motor to be transmitted through the gearbox.

MOTOR DATA.

MODEL	VOLTAGE		NO LOAD		MAX EFFICIENCY					STALL TORQUE		
	OPERATING RANGE	NOMINAL	SPEED	CURRENT	SPEED	CURRENT	TORQUE		OUTPUT	EFF	STALL TORQUE	
			R.P.M.	A	R.P.M.	A	oz - in	g - cm	W	%	oz - in	g - cm
280/5 VAR	4.5 - 6.0v	6.0v CONSTANT	9280	0.108	7664	0.53		25.4	1.99	64.85		145.7

REDUCTION TABLE. R.P.M. (NO LOAD)

SUPPLY VOLTAGE	4.5v	6.0v
944D41MS	1740	2320
944D621MS	112	150
944D1041MS	67	89
944D2311MS	30	40

WEIGHT	
944D41MS	71g
944D621MS	79g
944D1041MS	79g
944D2311MS	83g

Note: Motor speeds may vary by (+) or (-) 12.5%

GEARED MOTOR TORQUE RATINGS AT MAX. EFFICIENCY

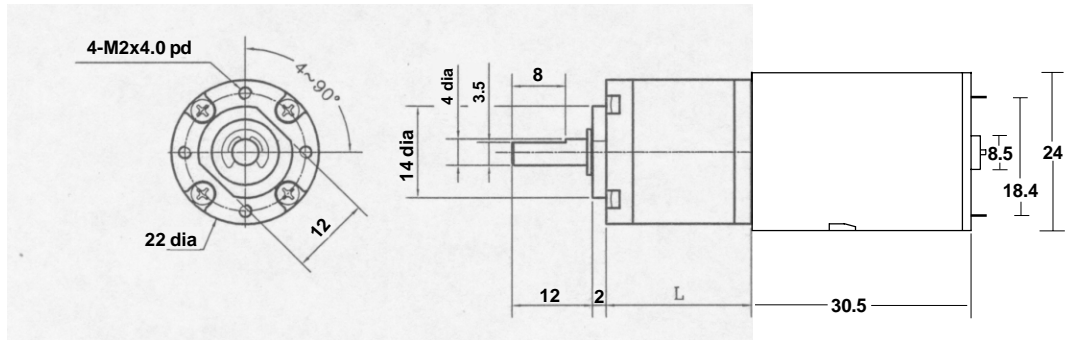
At 6V (g.cm)	
4:1	81
62:1	945
104:1	1585
231:1	2500

944DMS SERIES	
No load Backlash:	Max 3 deg.
Max Radial Load: (10mm from flange)	800gf.
Shaft Axial Load:	600gf.

NOTE: To establish Torque Rating in Nm, divide g.cm by 10,197.0

IMPORTANT NOTICE
At very low ratios the torque produced by this geared motor combination may exceed the maximum permissible torque of the gearbox. In this situation the unit must not be allowed to stall as this may damage the gears.

944DMS SERIES 22mm PLANETRY (EPICYCLIC) MINIATURE METAL GEARBOX



GEARBOX REF.	L
944D41 (4:1)	14.4
944D621 (62:1)	21.7
944D1041 (104:1)	21.7
944D2311 (231:1)	25.35

FOR ACCESSORIES TO FIT THIS SERIES GEARBOX, REFER TO 918D SERIES PAGE.

ADVANTAGES OF PLANETARY GEARBOXES.	
EFFICIENCY:	Efficiencies of planetary gearboxes can be above 90% while some other types of transmission can be 50% or less. This allows the use of smaller motors.
SIZE:	Planetary gearboxes can be half the size of conventional boxes.
WEIGHT:	Weight savings can be as high as 60%, allowing smaller, lighter support structures.
MAINTENANCE:	Other than routine oil changes, no maintenance is required, eliminating the need to hold spares.
REVERSIBLE:	Planetary gears can be equally efficient in either direction. This is an advantage for use in running machinery in both clockwise and anti-clockwise directions.
COAXIAL:	The coaxial configuration of input and output shafts allows planetary gears to be installed in line with a motor and a machine.

Subject to minimum order quantities of 100 units, the following ratios are also available with a six week lead-time. The physical dimensions of these other gearboxes may vary from the data as illustrated above. Details of individual gearboxes are available upon request.

14:1	16:1	19:1
53:1	72:1	84:1
198:1	270:1	316:1
370:1	455:1	742:1
1014:1	1249:1	1621:1
1996:1		